

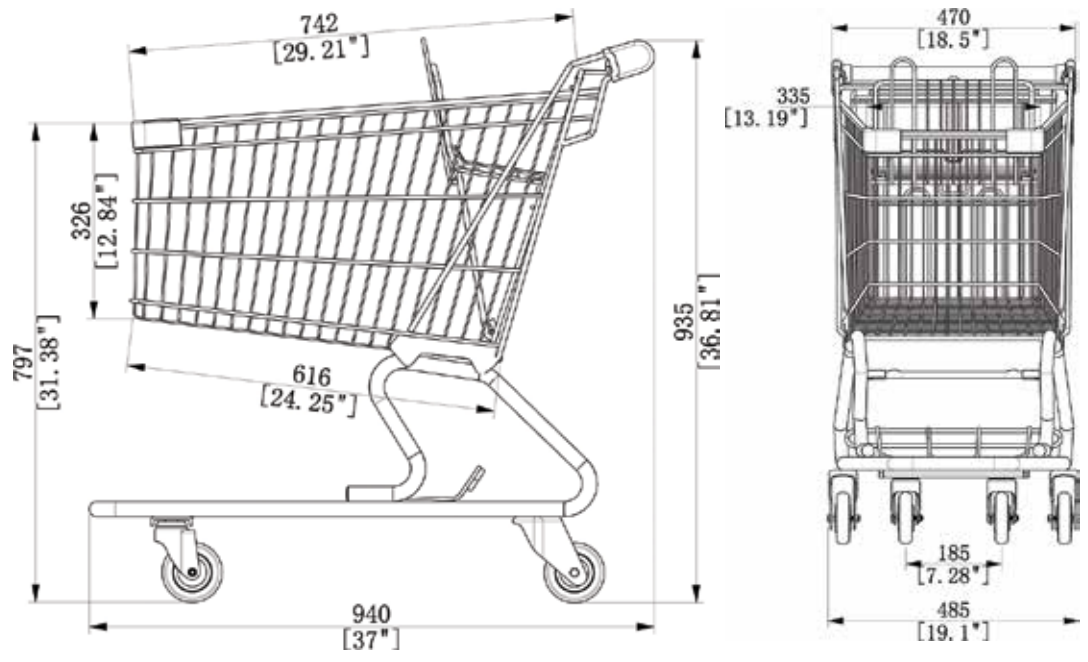
model **INSR4**

TOTAL CAPACITY	9,486 in ³	155 L
BASKET CAPACITY - UPPER	6,732 in ³	110 L
BASKET CAPACITY - LOWER		
BASKET CAPACITY - REAR		
LOWER TRAY CAPACITY	2,754 in ³	45 L
LOWER TRAY CAPACITY - REAR		
NESTING DISTANCE	9.96"	253 mm
WEIGHT	96.8 lbs	44 kg
STANDARD FEATURES	E-Coat + Powder Coat 1" round handle Bumpers 5" Polyurethane wheels ASTM approved Nylon Seatbelt	

AVAILABLE FEATURES	Custom Colours	Cup/Floral Holder
	Custom Finishes	Bag Hook
	Cart Locks	Scanner Holder
	Anti-Static Wheel	Cart Containment Components <small>(Factory Installed)</small>
	Ergonomic Handle	
	Custom Leg hole covers	



5181 Everest Drive Mississauga, Ontario L4W 2R2
 1.888.473.3629 | www.instorecorp.com



*Dimensions (inches/mm)