

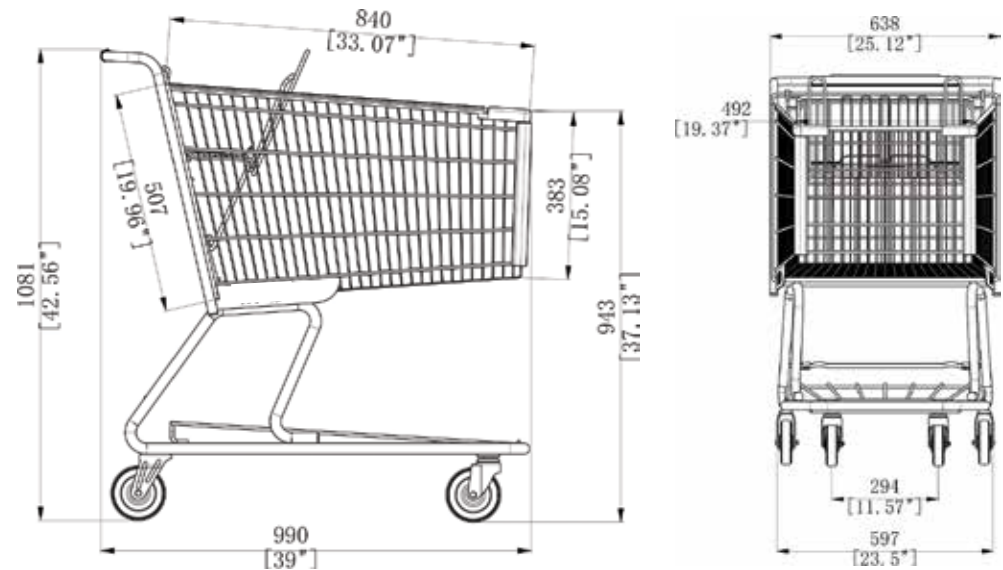
model **INS622**

TOTAL CAPACITY	18,727 in ³	306 L
BASKET CAPACITY - UPPER	12,607 in ³	206 L
BASKET CAPACITY - LOWER		
BASKET CAPACITY - REAR		
LOWER TRAY CAPACITY	6,120 in ³	100 L
LOWER TRAY CAPACITY - REAR		
NESTING DISTANCE	13.00"	330 mm
WEIGHT	60.7 lbs	27.6 kg
STANDARD FEATURES	E-Coat + Powder Coat Snap Down Handle Bumpers 5" Polyurethane wheels ASTM approved Nylon Seatbelt	

AVAILABLE FEATURES	Custom Colours	Cup/Floral Holder
	Custom Finishes	Bag Hook
	Cart Locks	Scanner Holder
	Anti-Static Wheel	Cart Containment Components (Factory Installed)
	Ergonomic Handle	
	Custom Leg hole covers	



5181 Everest Drive Mississauga, Ontario L4W 2R2
 1.888.473.3629 | www.instorecorp.com



*Dimensions (inches/mm)