

model Garden^{cart}

TOTAL CAPACITY 19,400 in³ 317 L

BASKET CAPACITY - UPPER

BASKET CAPACITY - LOWER

BASKET CAPACITY - REAR 1,040 in³ 17 L

LOWER TRAY CAPACITY 18,360 in³ 300 L

LOWER TRAY CAPACITY - REAR

NESTING DISTANCE 11.42" 290 mm

WEIGHT 84.7 lbs 38.5 kg

STANDARD FEATURES

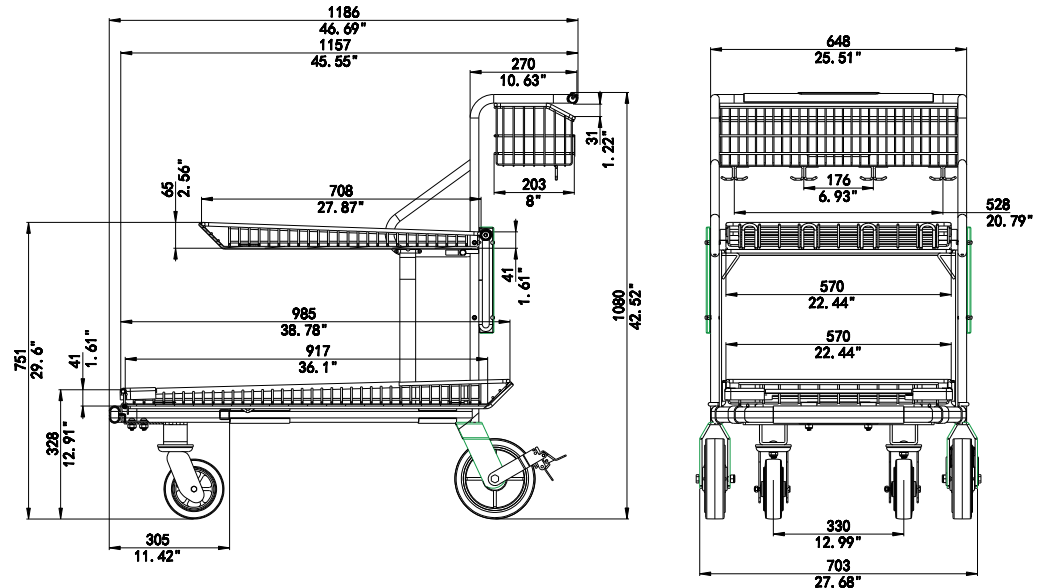
- E-Coat + Grey Power Coat Finish
- Retractable Top Shelf
- Additional Rear Accessory Basket
- Bag Hooks
- 6" Front Swivel and 8" Rear Fixed PU Wheel
- (1) Rear Foot Brake
- Protective Bumper System
- 12" Nesting Distance
- Snap Down Handle (Artwork Optional)

AVAILABLE FEATURES

- Custom Colours
- Handle Artwork
- Deposit Device



5181 Everest Drive Mississauga, Ontario L4W 2R2
1.888.473.3629 | www.instorecorp.com



*Dimensions (inches/mm)