

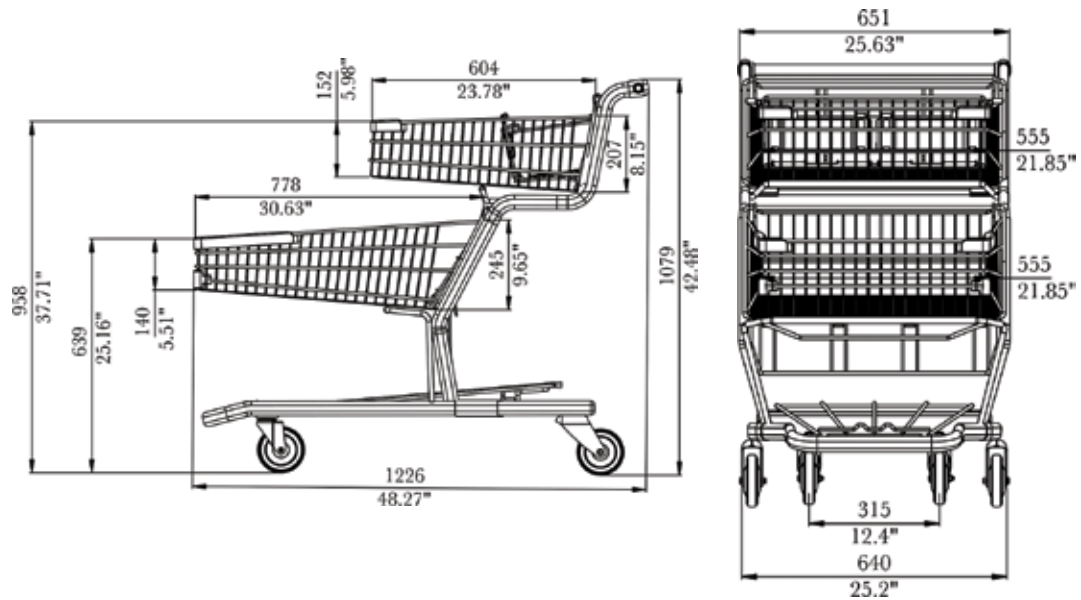
model 5BB7

TOTAL CAPACITY	13,770 in ³	225 L
BASKET CAPACITY - UPPER	3,366 in ³	55 L
BASKET CAPACITY - LOWER	4,896 in ³	80 L
BASKET CAPACITY - REAR		
LOWER TRAY CAPACITY	5,508 in ³	90 L
LOWER TRAY CAPACITY - REAR		
NESTING DISTANCE	11.42"	290 mm
WEIGHT	70.2 lbs	31.9 kg
STANDARD FEATURES	E-Coat + Powder Coat 1" round handle Bumpers 5" Polyurethane wheels ASTM approved Nylon Seatbelt	

AVAILABLE FEATURES	Custom Colours	Cup/Floral Holder
	Custom Finishes	Bag Hook
	Cart Locks	Scanner Holder
	Anti-Static Wheel	Cart Containment Components (Factory Installed)
	Ergonomic Handle	
	Custom Leg hole covers	



5181 Everest Drive Mississauga, Ontario L4W 2R2
 1.888.473.3629 | www.instorecorp.com



*Dimensions (inches/mm)