

model 4BB1

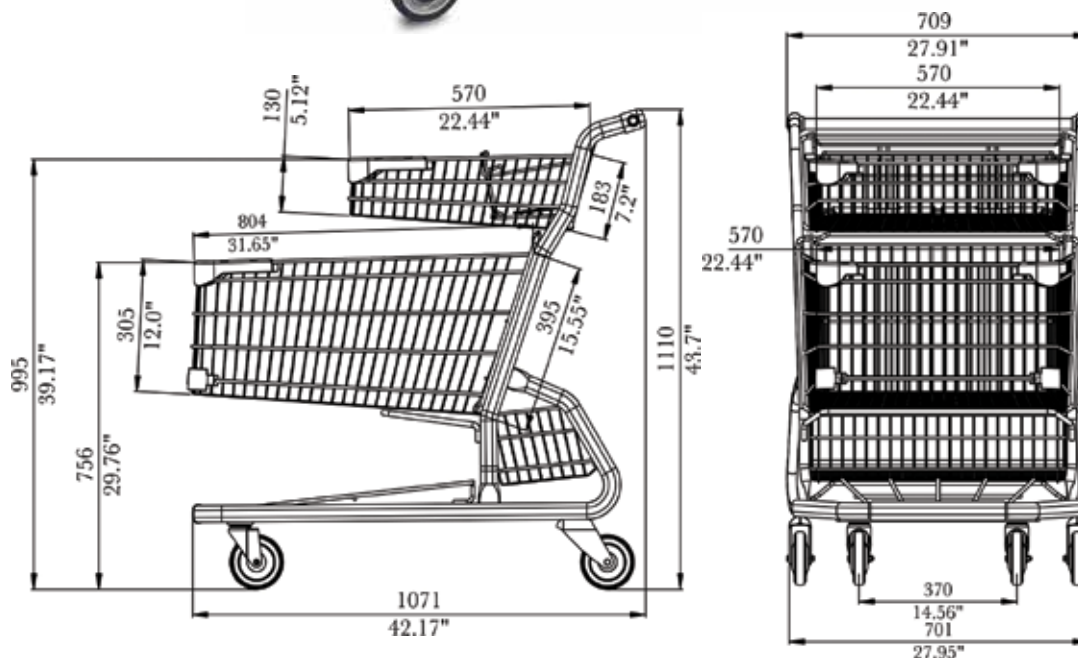
TOTAL CAPACITY	17,748 in ³	290 L
BASKET CAPACITY - UPPER	2,938 in ³	48 L
BASKET CAPACITY - LOWER	9,302 in ³	152 L
BASKET CAPACITY - REAR		
LOWER TRAY CAPACITY	3,978 in ³	65 L
LOWER TRAY CAPACITY - REAR	1,530 in ³	25 L
NESTING DISTANCE	11.30"	287 mm
WEIGHT	78.8 lbs	35.8 kg

STANDARD FEATURES	E-Coat + Powder Coat 1" round handle Bumpers 5" Polyurethane wheels ASTM approved Nylon Seatbelt
-------------------	--

AVAILABLE FEATURES	Custom Colours Custom Finishes Cart Locks Anti-Static Wheel Ergonomic Handle Custom Leg hole covers	Cup/Floral Holder Bag Hook Scanner Holder Cart Containment Components (Factory Installed)
--------------------	--	---



5181 Everest Drive Mississauga, Ontario L4W 2R2
1.888.473.3629 | www.instorecorp.com



*Dimensions (inches/mm)