

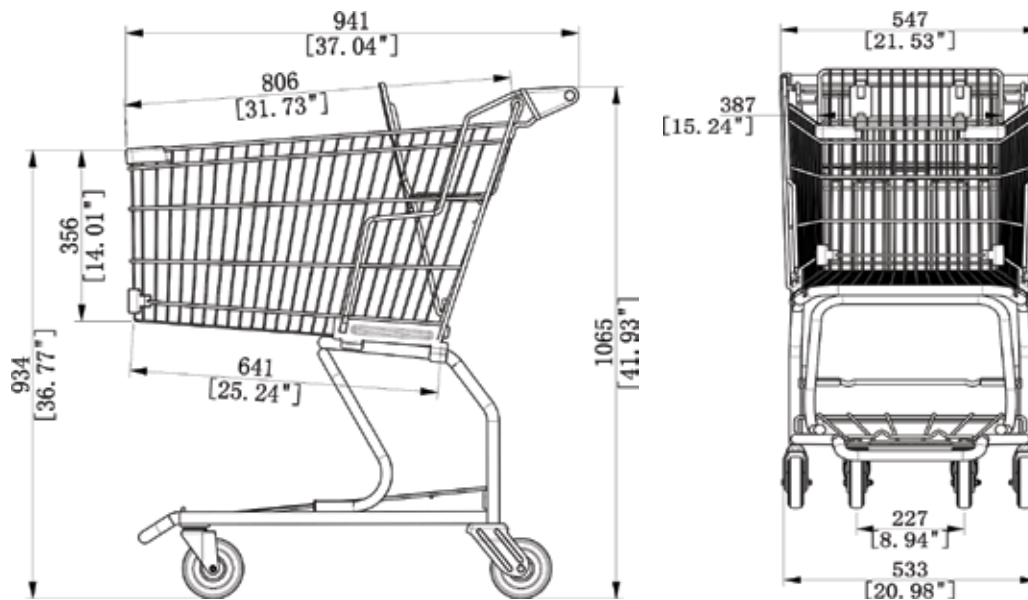
# model 1407

TOTAL CAPACITY	11,934 in <sup>3</sup>	195 L
BASKET CAPACITY - UPPER	7,956 in <sup>3</sup>	130 L
BASKET CAPACITY - LOWER		
BASKET CAPACITY - REAR		
LOWER TRAY CAPACITY	3,978 in <sup>3</sup>	65 L
LOWER TRAY CAPACITY - REAR		
NESTING DISTANCE	10.83"	275 mm
WEIGHT	50.4 lbs	22.9 kg
STANDARD FEATURES	E-Coat + Powder Coat 1" round handle Bumpers 5" Polyurethane wheels ASTM approved Nylon Seatbelt	

AVAILABLE FEATURES	Custom Colours	Cup/Floral Holder
	Custom Finishes	Bag Hook
	Cart Locks	Scanner Holder
	Anti-Static Wheel	Cart Containment Components (Factory Installed)
	Ergonomic Handle	
	Custom Leg hole covers	



5181 Everest Drive Mississauga, Ontario L4W 2R2  
 1.888.473.3629 | www.instorecorp.com



\*Dimensions (inches/mm)