

model **X8**

Specifications

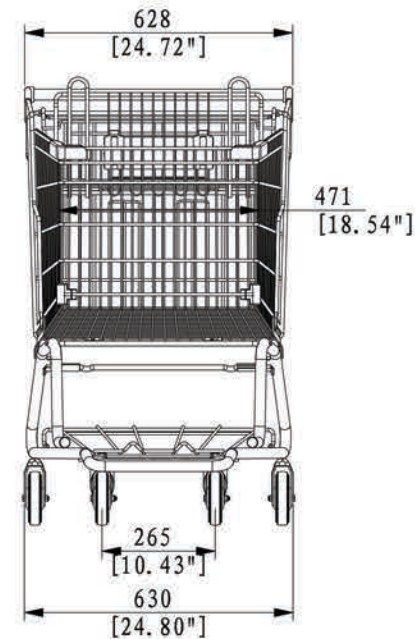
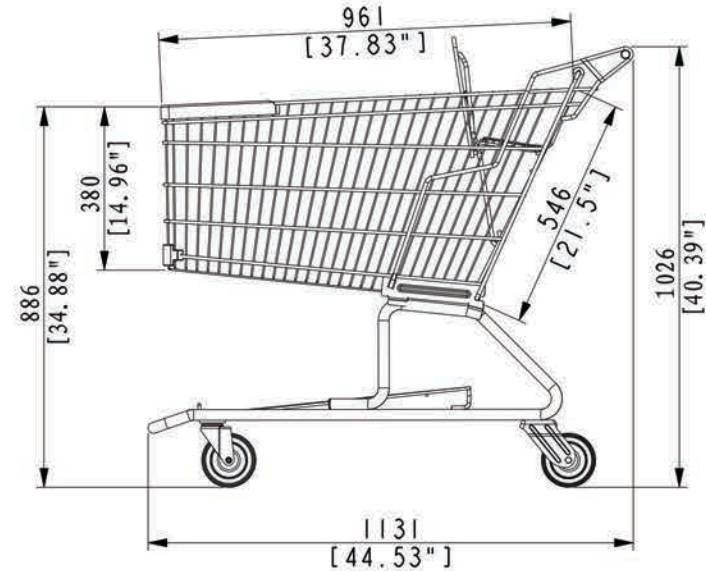
Volume	15,606 in ³	255 L
Basket Capacity	11,268 in ³	190 L
Rear Basket Capacity	N/A	N/A
Weight	62.1 lbs	28.2 kg
Nesting Distance	10.63"	270 mm
Finish Available	E-Coat	
Color(s)	Options Available	
Wheels	5"	125 mm



instore
products limited

5181 Everest Drive
Mississauga, Ontario
L4W 2R2

1.888.473.3629
www.instorecorp.com



*Dimensions (inches/mm)