

model **M5**

Specifications

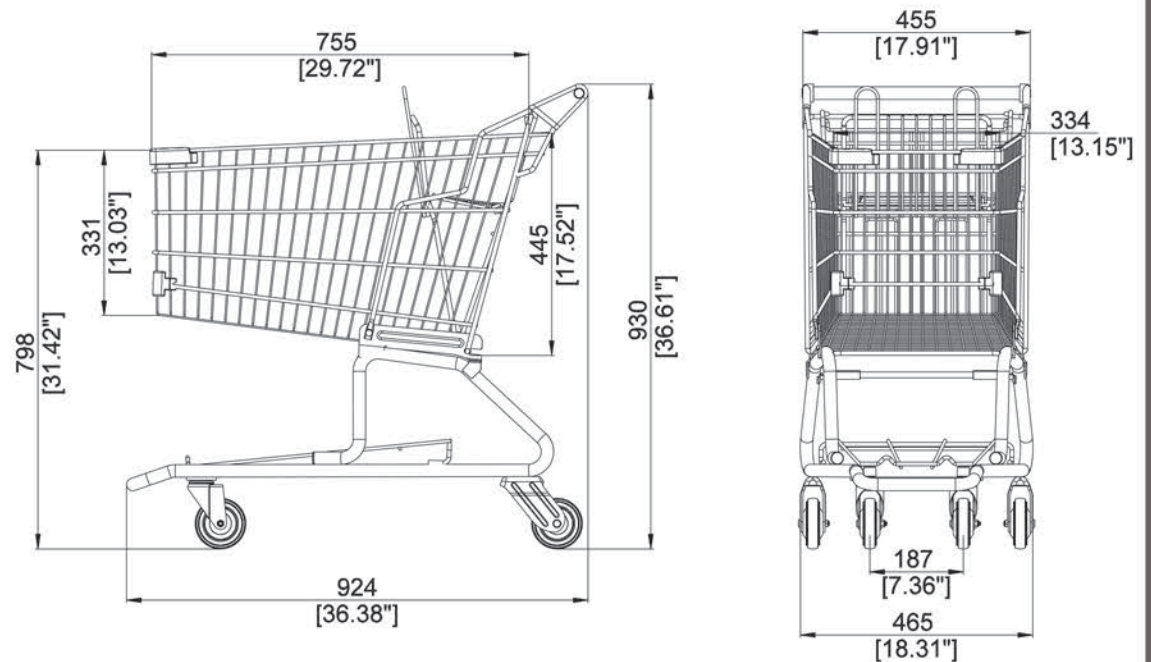
| | | |
|-----------------------------|-----------------------|---------|
| Volume | 8,262 in ³ | 135 L |
| Basket Capacity | 6,120 in ³ | 100 L |
| Rear Basket Capacity | N/A | N/A |
| Weight | 47.4 lbs | 21.5 kg |
| Nesting Distance | 9.84" | 250 mm |
| Finish Available | E-Coat | |
| Colour(s) | Grey / Brown / Yellow | |
| Wheels | 5" | 125 mm |



instore
products limited

5181 Everest Drive
Mississauga, Ontario
L4W 2R2

1.888.473.3629
www.instorecorp.com



*Dimensions (inches/mm)