

model **INSP-150**

Specifications

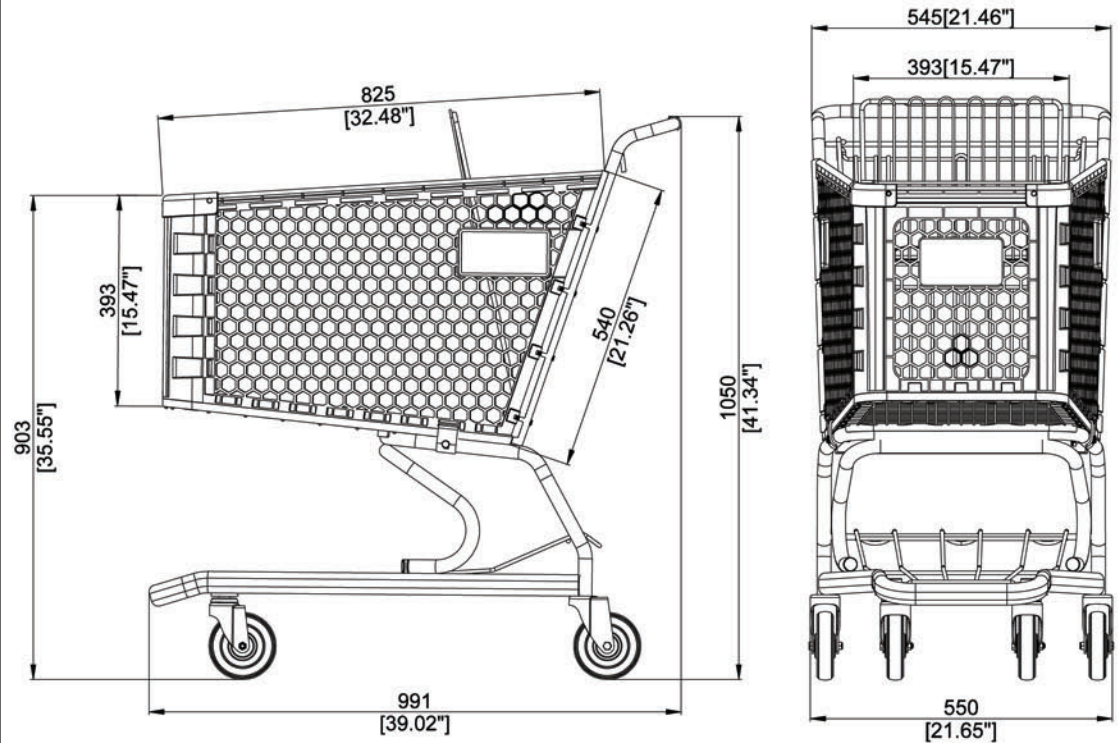
Volume	12,730 in ³	208 L
Basket Capacity	9,180 in ³	150 L
Rear Basket Capacity	N/A	N/A
Weight	48.50 lbs	22 kg
Nesting Distance	10.24"	260 mm
Finish Available	E-Coat	
Colour(s)	Options Available	
Wheels	5"	127 mm



instore
products limited

5181 Everest Drive
Mississauga, Ontario
L4W 2R2

1.888.473.3629
www.instorecorp.com



*Dimensions (inches/mm)