

model **INS-342**

Specifications

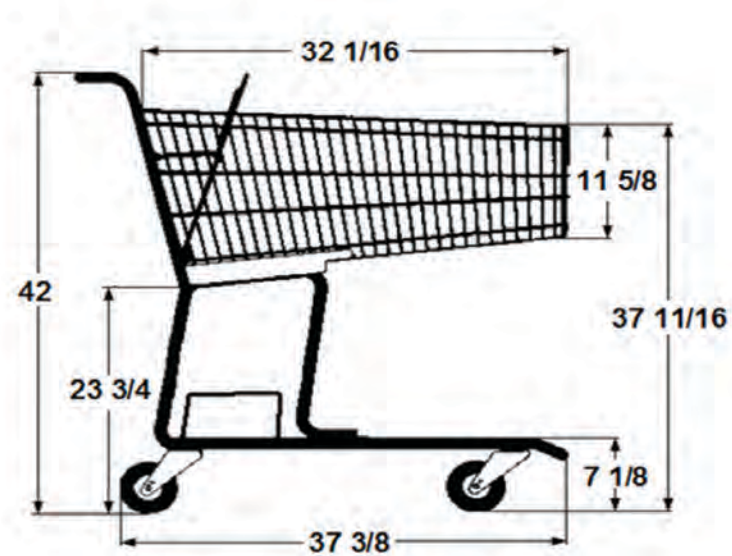
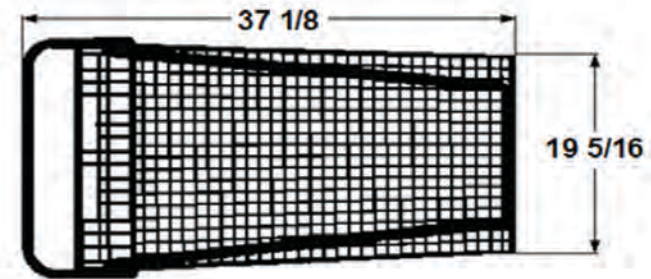
Volume	15,360 in ³	252 L
Basket Capacity	8,900 in ³	145 L
Bottom Basket Capacity	N/A	N/A
Weight	55 lbs	25.2 kg
Nesting Distance	12.81"	325.37 mm
Finish Available	E-Coat	
Colour(s)	Options Available	
Wheels	5"	127 mm
Trailer Capacity	470 Carts per 53 ft trailer	



instore
products limited

5181 Everest Drive
Mississauga, Ontario
L4W 2R2

1.888.473.3629
www.instorecorp.com



*Dimensions (inches)