

model **48" U-Boat**

Specifications

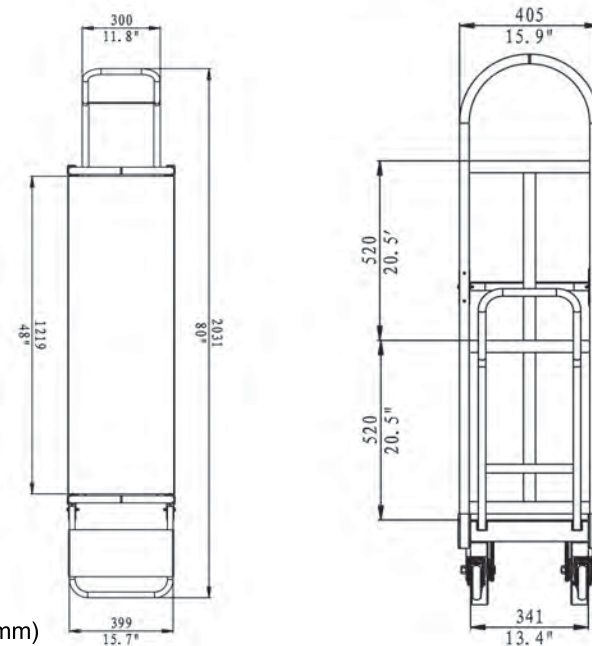
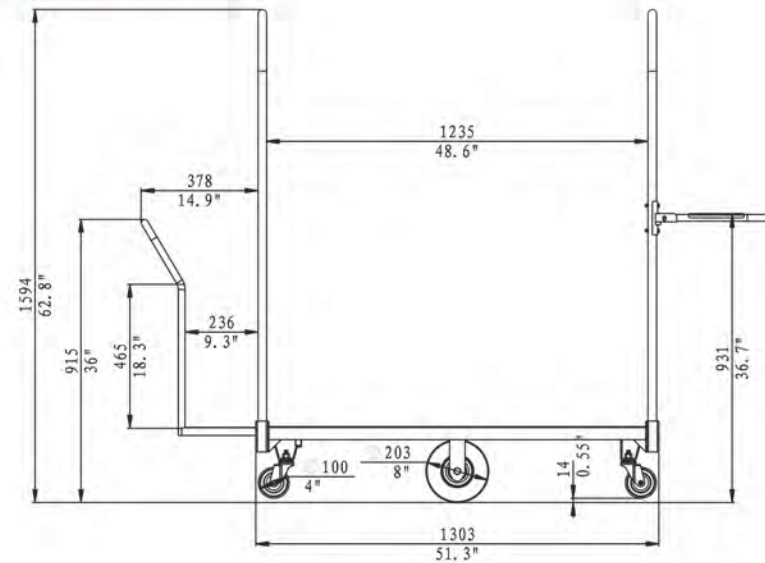
Capacity	1500 lbs	680 kgs
Platform Dimensions	51.3" L x 15.9" W x 62.8" H	
Weight	83.77 lbs	38 kgs
Nesting Distance	N/A	N/A
Finish Available	Galvanized with Diamond Tread	
Colour(s)	Chrome	
Wheels	(2) 8" PU & (4) 4" PU	



instore
products limited

5181 Everest Drive
Mississauga, Ontario
L4W 2R2

1.888.473.3629
www.instorecorp.com



*Dimensions (inches/mm)