

model **2BB2**

Specifications

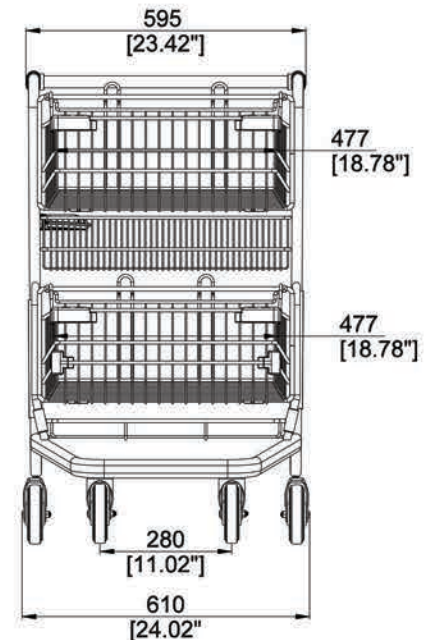
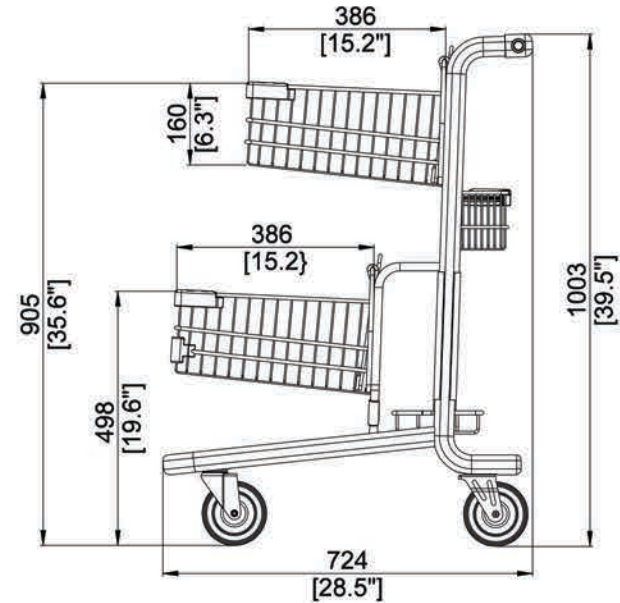
Volume	5,569 in ³	91 L
Basket Capacity	4,039 in ³	66 L
Rear Basket Capacity	N/A	N/A
Weight	46.00 lbs	20.9 kg
Nesting Distance	8.86"	225 mm
Finish Available	E-Coat	
Color(s)	Options Available	
Wheels	5"	125 mm



instore
products limited

5181 Everest Drive
Mississauga, Ontario
L4W 2R2

1.888.473.3629
www.instorecorp.com



*Dimensions (inches/mm)